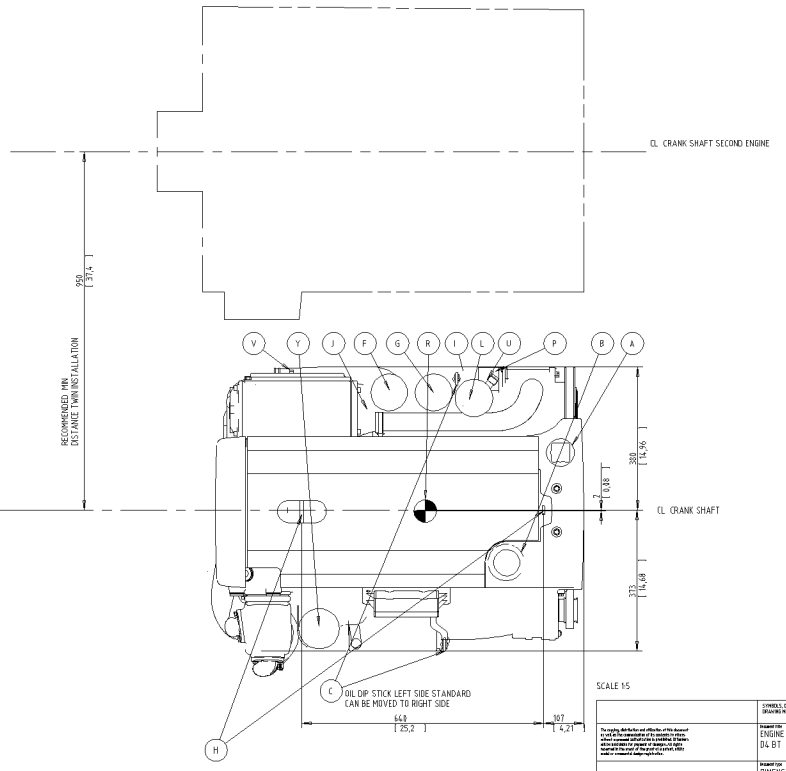
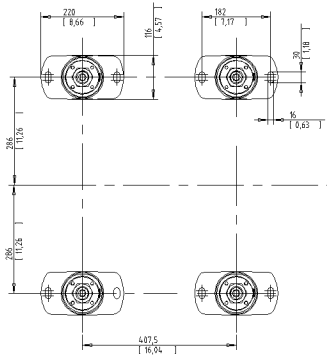
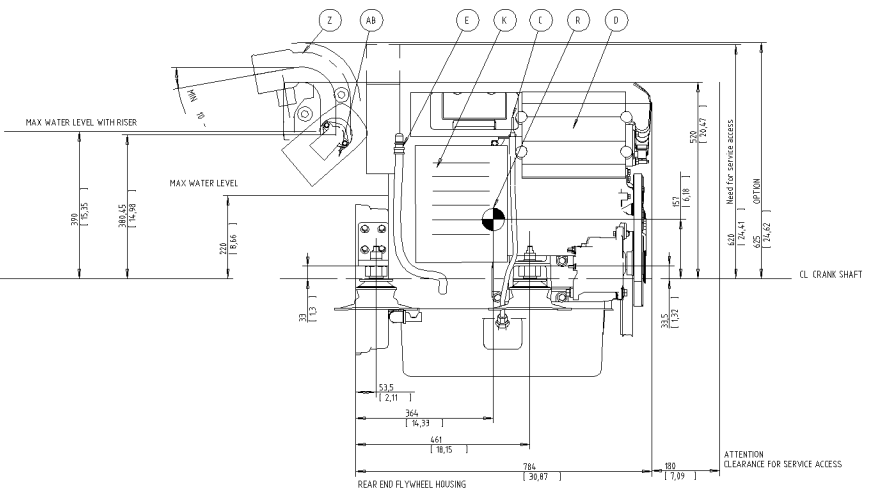
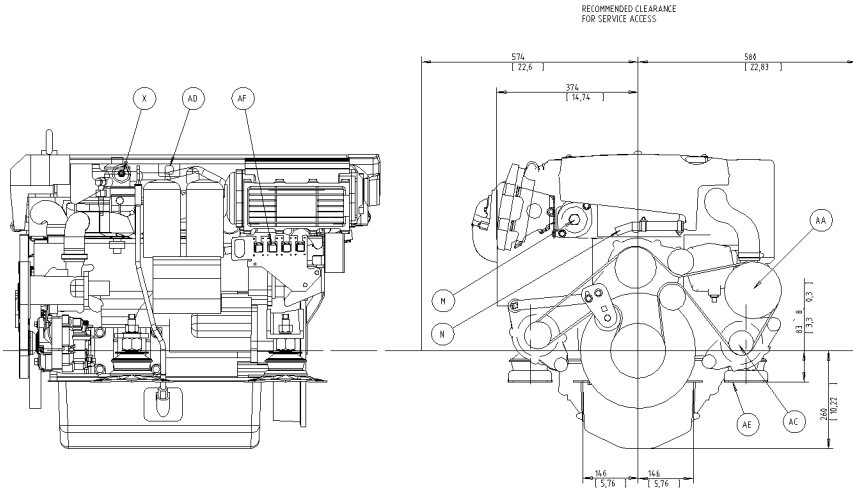


- (A) WATER FILLER CAP, FRESH WATER
- (B) OIL FILLER CAP, ENGINE
- (C) OIL DIP STICK, ENGINE LEFT OR RIGHT SIDE MOUNTED
- (D) ECU CONTROL UNIT
- (E) OIL DRAIN (WITH PUMP), ENGINE
- (F) OIL FILTER MAIN
- (G) OIL FILTER BYPASS
- (H) LIFTING EYE
- (I) WATER DRAIN, FRESH WATER
- (J) WATER DRAIN, SEA WATER
- (K) AIR FILTER
- (L) FUEL FILTER
- (M) HOT WATER OUTLET
- (N) HOT WATER INLET
- (P) SEA WATER INLET n 38
- (R) CENTRE OF GRAVITY
- (U) FUEL INLET CONNECTION
- (V) FUEL RETURN TO TANK
- (X) ENGINE STOP
- (Y) CRANK CASE VENTILATION
- (Z) EXHAUST RISER n 102 (4") (OPTION)
- (AA) SEA WATER PUMP
- (AB) EXHAUST ELBOW n 102 (4")
- (AC) EXTRA ALTERNATOR
- (AD) DIAGNOSE CONNECTOR
- (AE) ELASTIC SUSPENSION (4x1)
- (AF) DATALINK, SENDER AND AUX (2x)

n 125



	ENGINE DIMENSIONS P14-01
	DIMENSION DRAWING
219124-36	01